

# GBC015

For GB150

## BOOST PRO™ Protective Case



**NOCO**  
Boost Accessories™

### Rugged storage.

Protective EVA cases designed and made exclusively to fit Boost UltraSafe® Jump Starters.

The lightweight, durable, and rugged **GBC015** EVA Protective Case has a semi-rigid custom exterior with zipper closures and a reinforced handle. The rubberized EVA exterior offers protection from moisture, impact, dust, and other environmental factors, while the molded interior perfectly fits, stores, and protects its corresponding NOCO Genius® Boost jump starter.



Made of thermoformed EVA, the lightweight and durable molded exterior has a water resistant, rubber-like finish.

Heavy-duty reverse coil zipper with built-in reinforced handle and custom over-molded pull tab.



Boost insert molded tray interior with soft black melange velvet lining for secure fit.

Reinforced pockets for securely holding clamps, extensions or other accessories.



For **GB150** BOOST PRO UltraSafe® Jump Starter

The NOCO Company  
30339 Diamond Parkway, #102  
Glenwillow, OH 44139 | USA  
1.800.456.6626

no.co

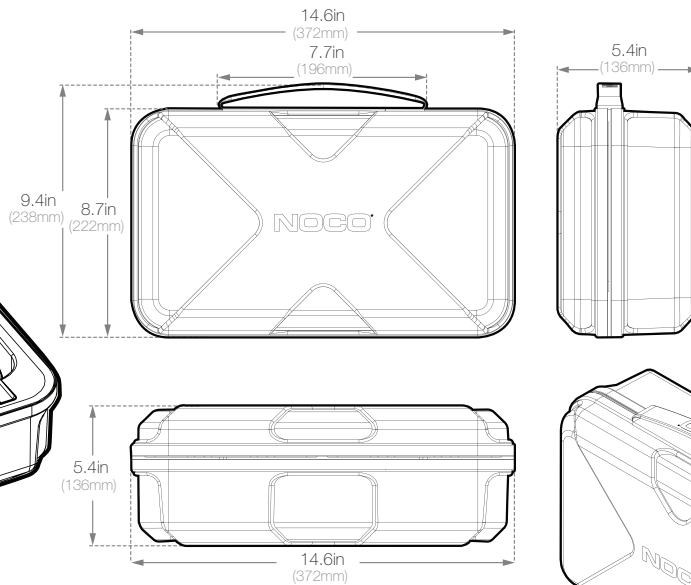
**NOCO**  
Since 1914

# GBC015

Accessory Pockets

Fits  
GB150 BOOST PRO™

\*Boost & Accessories  
Not Included.



**Retail Packaging:**  
Dimensions: 14.6"x9.4"x5.4"  
Weight: 1.8lbs  
UPC: 0-46221-17029-0  
**Inner Carton:**  
Dimensions: 14.6"x9.5"x5.5"  
Weight: 2.4lbs

**Master Carton:**  
Dimensions: 14.7"x11.4"x10.1"  
Weight: 5.8lbs  
Quantity: 2  
UCC: 10046221170297  
**Units Per Pallet:** 100 Units

The NOCO Company  
30339 Diamond Parkway, #102  
Glenwillow, OH 44139 | USA  
1.800.456.6626

no.co

**NOCO**<sup>®</sup>  
Since 1914